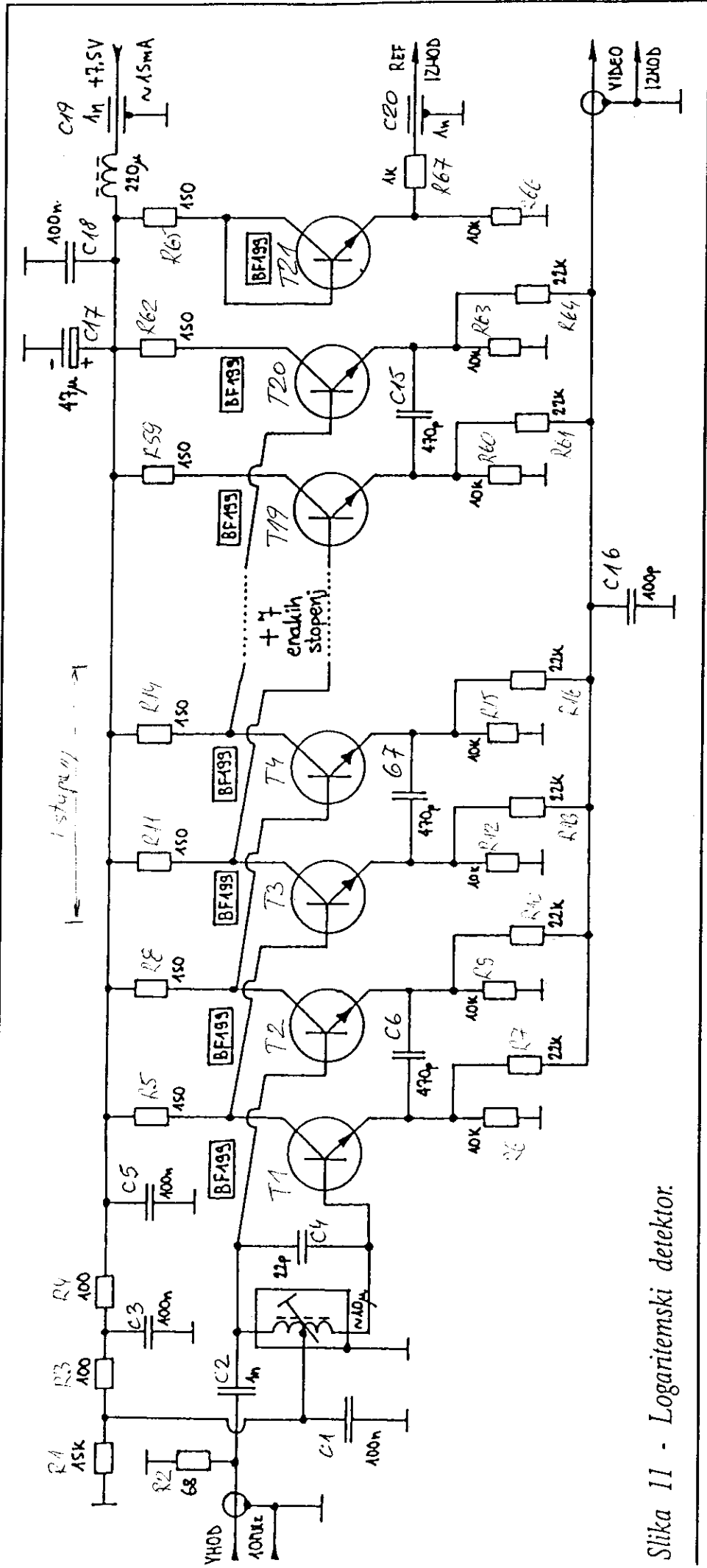


	1 stupanj	2 stupanj	3 stupanj	4 stupanj	5 stupanj	6 stupanj	7 stupanj	8 stupanj
150	R14	R20	R23	R26	R32	R37	R44	R50
10K	R12	R18	R24	R27	R30	R36	R45	R54
22K	R13	R19	R25	R28	R34	R39	R47	R55
470p	C7	C8	C9	C10	C11	C12	C13	C14
BF199	T3	T4	T5	T6	T7	T8	T9	T10
	T1	T2	T11	T12	T13	T14	T15	T16
	T17	T18	T19	T20	T21	T22	T23	T24
	R21	R29	R31	R33	R35	R38	R43	R46
	R41	R48	R51	R53	R56	R59	R62	R65
	R61	R68	R71	R73	R76	R79	R82	R85
	R81	R88	R91	R93	R96	R99	R102	R105
	R111	R118	R121	R123	R126	R129	R132	R135
	R141	R148	R151	R153	R156	R159	R162	R165
	R171	R178	R181	R183	R186	R189	R192	R195
	R201	R208	R211	R213	R216	R219	R222	R225
	R231	R238	R241	R243	R246	R249	R252	R255
	R261	R268	R271	R273	R276	R279	R282	R285
	R291	R298	R301	R303	R306	R309	R312	R315
	R321	R328	R331	R333	R336	R339	R342	R345
	R351	R358	R361	R363	R366	R369	R372	R375
	R381	R388	R391	R393	R396	R399	R402	R405
	R411	R418	R421	R423	R426	R429	R432	R435
	R441	R448	R451	R453	R456	R459	R462	R465
	R471	R478	R481	R483	R486	R489	R492	R495
	R501	R508	R511	R513	R516	R519	R522	R525
	R531	R538	R541	R543	R546	R549	R552	R555
	R561	R568	R571	R573	R576	R579	R582	R585
	R591	R598	R601	R603	R606	R609	R612	R615
	R621	R628	R631	R633	R636	R639	R642	R645
	R651	R658	R661	R663	R666	R669	R672	R675
	R681	R688	R691	R693	R696	R699	R702	R705
	R711	R718	R721	R723	R726	R729	R732	R735
	R741	R748	R751	R753	R756	R759	R762	R765
	R771	R778	R781	R783	R786	R789	R792	R795
	R801	R808	R811	R813	R816	R819	R822	R825
	R831	R838	R841	R843	R846	R849	R852	R855
	R861	R868	R871	R873	R876	R879	R882	R885
	R891	R898	R901	R903	R906	R909	R912	R915
	R921	R928	R931	R933	R936	R939	R942	R945
	R951	R958	R961	R963	R966	R969	R972	R975
	R981	R988	R991	R993	R996	R999		



Slika 11 - Logaritemski detektor.